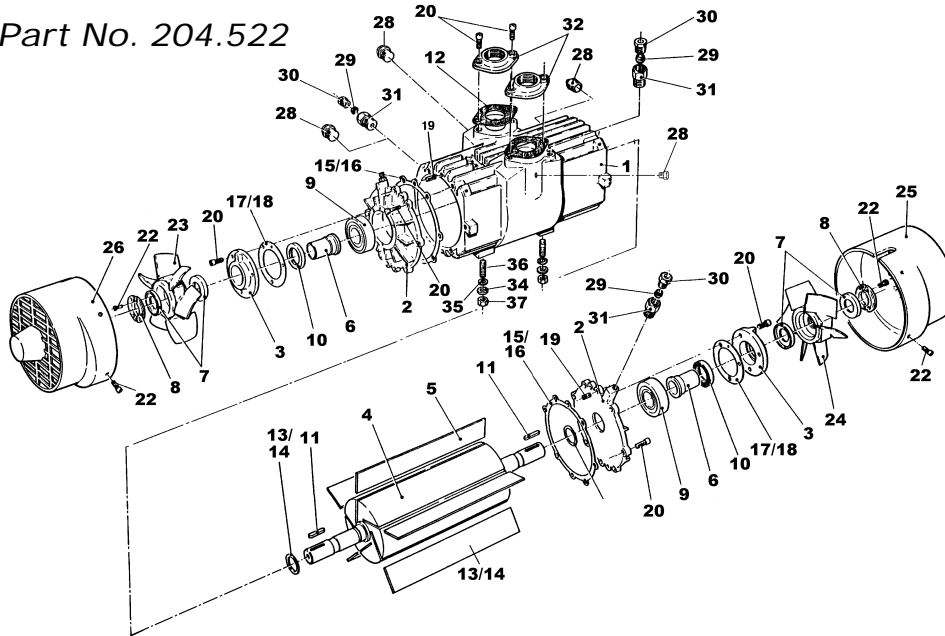


PARTS LIST	031.157
ISSUE	0
EFFECTIVE	AUGUST 2000
REPLACES	005.003 Issue 8
SECTION	4
RAL 485	

blackmer
PEOPLE PROVIDING FLOW TECHNOLOGY WORLDWIDE

PARTS LIST - EXHAUSTER / COMPRESSOR
Model: RAL 485

RAL 485 Part No. 204.522



PARTS LIST

Item	Part No.	Description	Qty.	Item	Part No.	Description	Qty.
1	007.102	Body 380, 425, 485	1	23	025.009	Fan (Clockwise)	1
	007.006	Body 340	1	24	025.010	Fan (Anti-clockwise)	1
2	008.010	Sideplate	2	25	026.005	Drive End Cowl	1
3	009.013	Bearing Cap	2	26	026.006	Non-Drive End Cowl	1
4	011.063	Rotor 380, 425, 485	1	27	037.001	Nameplate	1
	011.053	Rotor 340	1	28	055.003	Plug 1/4" BSP Male	3
5	013.057	Blade 380, 425, 485 (Asbestos-free)	5	29	055.008	Olive - (5/16" O.D. Tube)	4
	013.065	Blade 340 (Asbestos-free)	6	30	055.010	Tubing Nut - (5/16" O.D. Tube)	4
6	016.023	Oil Seal Sleeve	2	31	055.012	Adapter 1/4" BSP M. to 5/16" O.D.	4
7	016.024	Thrust Sleeve	2	32	056.002	Flange 2" BSP Female	2
8	016.025	Split Sleeve	2pair	33	009.011	Plastic Bung (not shown)	2
9	017.005	Bearing	2	34	204.383	Stud Kit (See Below)	1
10	018.003	Oil Seal	2	<i>Stud Kit (204.383)</i>			
12	021.045	Flange Gasket	2	11	020.005	Shaft Key	1
13	021.017	Shaft Shim 0.050 mm (2/1000")	a/r	29	055.008	Olive - (5/16" O.D. Tube)	1
14	021.018	Shaft Shim 0.125 mm (5/1000")	a/r	30	055.010	Tubing Nut - (5/16" O.D. Tube)	1
15	021.040	Body Shim 0.050 mm (2/1000")	a/r	31	055.012	Adapter 1/4" BSP Male to 5/16" O.D.	1
16	021.041	Body Shim 0.125 mm (5/1000")	a/r	34	023.045	Plain Washer M12	4
17	021.043	Brg. Cap Shim 0.050 mm (2/1000")	a/r	35	023.046	Spring Washer M12	4
18	021.013	Brg. Cap Shim 0.125 mm (5/1000")	a/r	36	024.031	Stud M12	4
19	022.004	Dowel Pin	4	37	024.032	Nut M12	4
20	024.009	Cap Screw M10 x 25	22		020.010	Allen Key 8 mm A/F (not shown)	1
21	024.015	Nameplate Screw	2		020.013	Allen Key 6 mm A/F (not shown)	1
22	024.061	Cap Screw M8 x 20	16				